

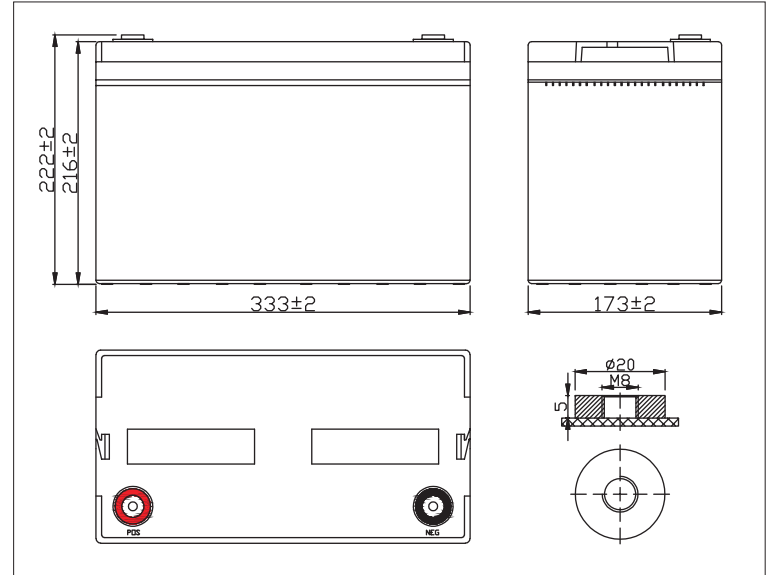


## SPECIFICATIONS

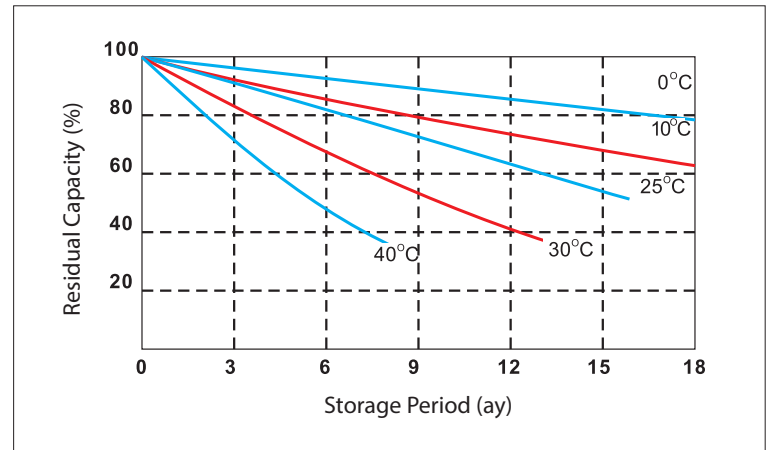
Nominal Voltage	12V	
Capacity (25°C)	10 hours rate (10A)	100Ah
Discharge Current Testing (25°C)	1 hours rate (55A)	61Ah
	3 hours rate (25A)	79Ah
Internal Resistance	Full Charged Battery 250C	5mΩ
Capacity Affected By Temperature	40°C	104%
	25°C	100%
	0°C	83%
	-15°C	65%
Residual Capacity (25°C)	Capacity After 3 Months Storage	91%
	Capacity After 6 Months Storage	82%
	Capacity After 12 Months Storage	65%
Charge (Constant voltage)	Cycle (25°C)	Initial Charging Current Less Than 30A Voltage 14.5~14.9V
	Float (25°C)	Charge Voltage 13.6~13.8V
Weight (Approx)	30.5kg	

## PLANE CHART

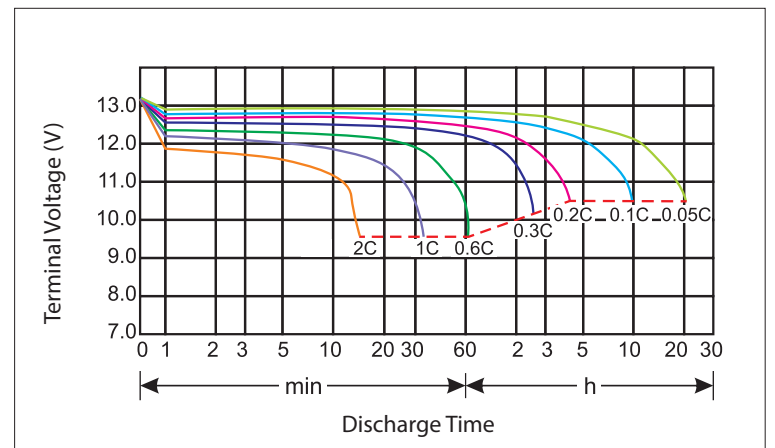
Unit: (mm) Terminal Type: (T3)




## RESIDUAL CAPACITY

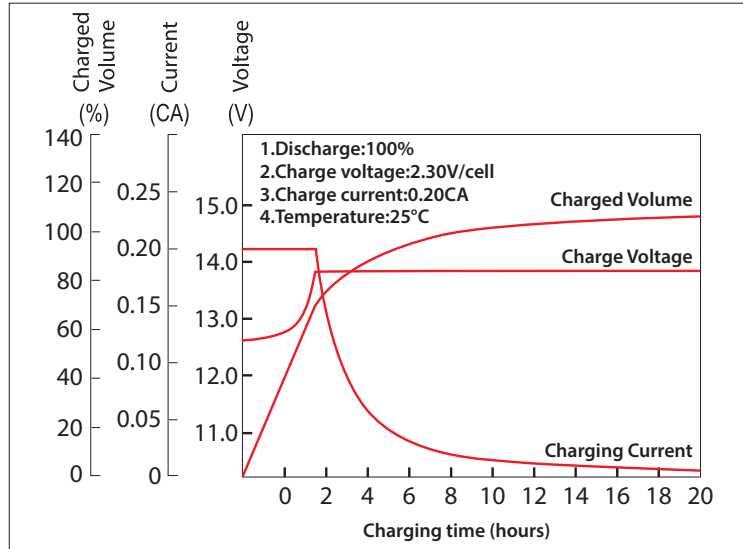


## DISCHARGE CURRENT 25°C

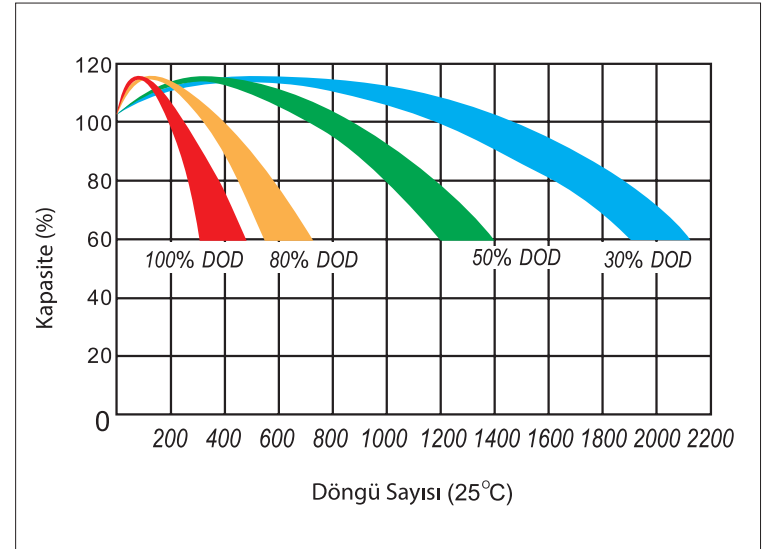


 TR EN 60896-21/22		 MH26866	
 ISO14001	 ISO9001		

## CONSTANT VOLTAGE CHARACTERISTICS



## CYCLE SERVICE LIFE IN RELATION TO THE DEPTH OF DISCHARGE



### CONSTANT CURRENT DISCHARGE CHARACTERISTICS (A, 25°C)

F.V/Time	10min	15min	30min	60min	2h	3h	5h	8h	10h	20h
9.60V	217.8	172.8	106.9	61.2	36.1	26.1	18.3	12.0	10.2	5.3
10.2V	206.9	165.6	103.0	58.6	35.6	25.7	18.0	11.9	10.1	5.2
10.5V	196.8	160.2	100.0	57.2	35.3	25.5	17.8	11.8	10.0	5.2
10.8V	175.6	155.8	97.8	56.4	34.9	25.2	17.6	11.7	10.0	5.1

### CONSTANT POWER DISCHARGE CHARACTERISTICS (Watts/Block, 25°C)

F.V/Time	10min	15min	30min	60min	2h	3h	5h	8h	10h	20h
9.60V	2352.2	1902.8	1199.9	733.6	418.8	306.9	216.8	144.5	121.8	64.3
10.2V	2234.4	1826.6	1155.3	703.9	412.8	302.9	212.9	143.9	120.8	63.6
10.5V	2204.2	1794.2	1149.9	657.8	408.9	300.0	209.9	143.6	119.8	63.4
10.8V	1984.3	1745.0	1115.1	643.0	404.9	297.0	207.9	142.6	118.2	63.0

### CAPACITY FACTORS WITH DIFFERENT TEMPERATURE

Battery Type		-20°C	-10°C	0°C	5°C	10°C	20°C	25°C	30°C	40°C	45°C
Gel Battery	12V	50%	70%	83%	85%	90%	98%	100%	102%	104%	105%