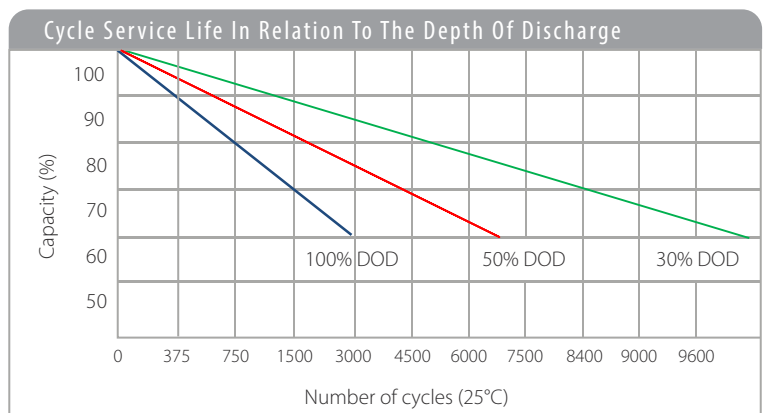
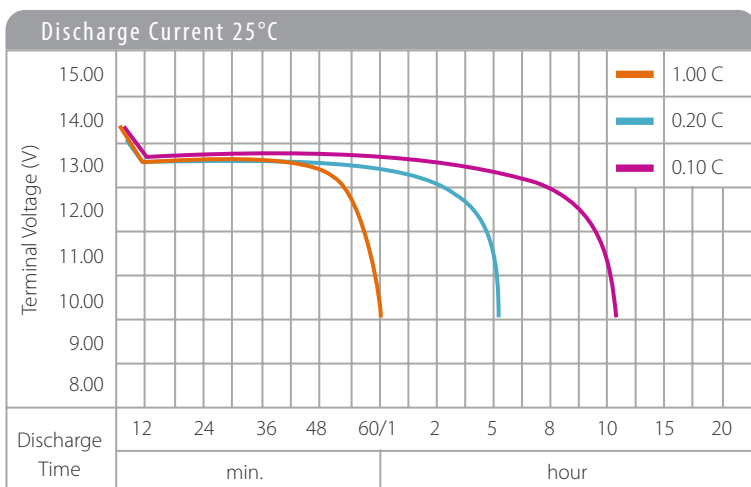
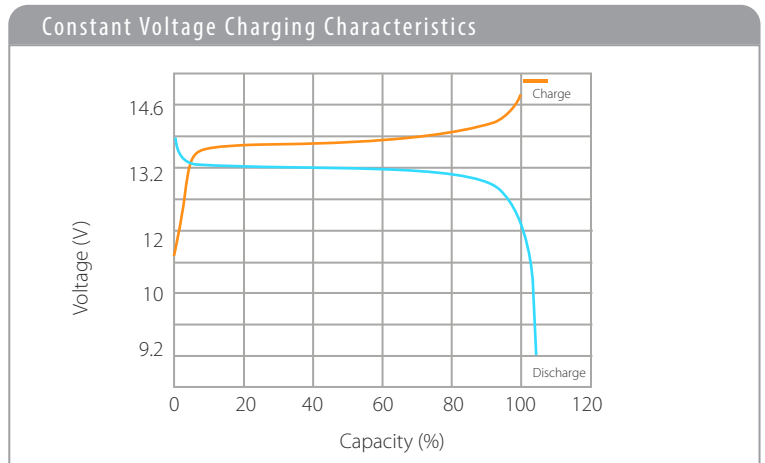
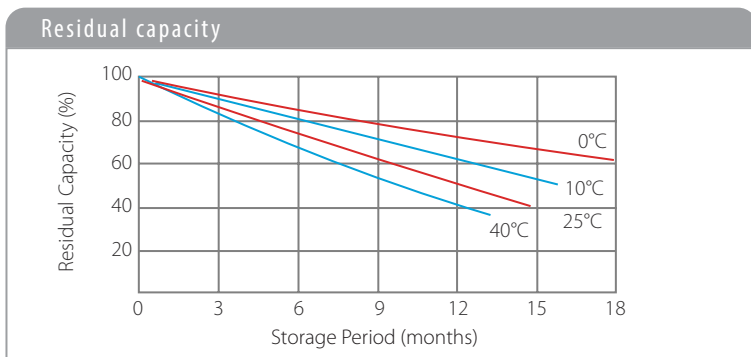
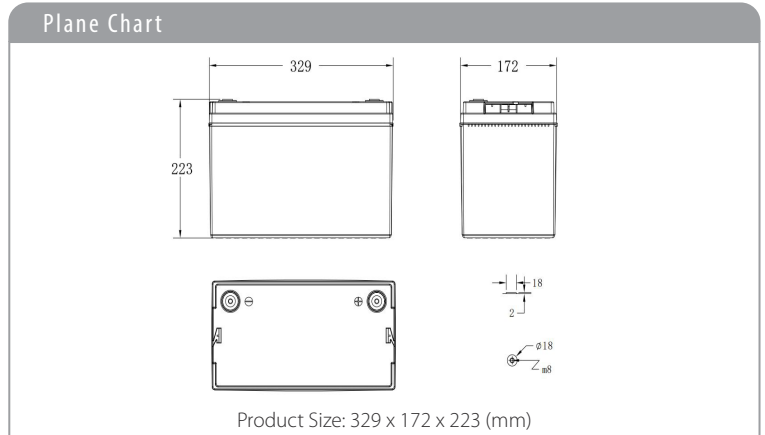


LITHIUM T-LFP (12.8V150Ah)



Parameter Chart		
Rated voltage	12.8	V
Rated capacity (25°C)	150	Ah
Series & Parallels	4 ~ 1	S/P
Voltage range	9.2 ~ 14.6	V
Rated energy	1920	Wh
Max. discharge current	120	A
Max. charge current	120	A
Discharge cut-off voltage	≥ 9.2	V
Charge voltage	14.6	V
Cycle life (@25°C, 100%DOD)	≥ 3000	Cycle
Float voltage	13.6 ~ 13.8	V
Operating humidity	60 ± 25%	R.H.
Certified	CE/UN38.3	
Communication	/	
Total weight	Approx. 14.12	kg (± 0.8)
Operating temperature	Charging 0 ~ 45°C Discharging -10 ~ 50°C	



Constant Current Discharge Characteristics (A, 25°C)

Time (h)	1.25	2.50	5.00	6.25	10.00	12.50	18.75	25.00
Current (A)	120.0	60.0	30.0	24.0	15.0	12.0	8.0	6.0

Constant Power Discharge Characteristics (Watt, 25°C)

Time (h)	1.25	2.50	5.00	6.25	10.00	12.50	18.75	25.00
Watt (W)	1536.0	768.0	384.0	307.2	192.0	153.6	102.4	76.8

Capacity Factors With Different Temperature

Discharge	-20	-10	0	10	20	25	30	40	50	55	60
30%	100%	100%	100%	100%	100%	100%	100%	98%	97%	96%	95%
50%	100%	100%	100%	100%	100%	100%	100%	98%	97%	96%	95%
75%	100%	100%	100%	100%	100%	100%	100%	98%	97%	96%	95%
90%	100%	100%	100%	100%	100%	100%	100%	98%	97%	96%	95%
100%	100%	100%	100%	100%	100%	100%	100%	98%	97%	96%	95%