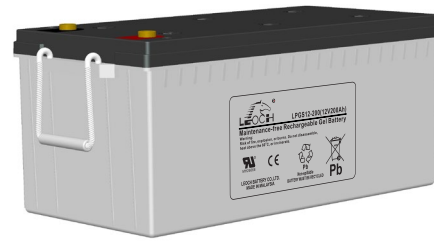
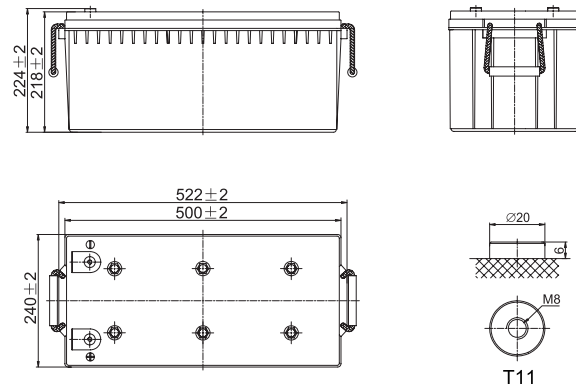


SPECIFICATIONS

Nominal voltage	12V	
Nominal capacity	200Ah at 1.80V/cell	
Dimensions	Length	522±2mm (20.6 inches)
	Width	240±2mm (9.45 inches)
	Container height	218±2mm (8.58 inches)
	Total height	224±2mm (8.82 inches)
Approx weight	57.9 Kg (127.7 lbs)	
Terminal	T11 (M8)	
Container material	ABS	
Rated capacity (25°C)	206.0Ah/10.3A	(200hr,1.80V/cell,25°C/77°F)
	200.0Ah/20.0A	(10hr,1.80V/cell,25°C/77°F)
	178.5Ah/35.7A	(5hr,1.75V/cell,25°C/77°F)
	162.6Ah/54.2A	(3hr,1.75V/cell,25°C/77°F)
	123.2Ah/123.2A	(1hr,1.67V/cell,25°C/77°F)
Max. discharge current	2000A (5s)	
Internal resistance	Approx 3.2mΩ	
Operating temp. range	Discharge: -20~55°C (-4~131°F)	
	Charge: 20~40°C (-4~104°F)	
	Storage: -20~50°C (-4~122°F)	
Nominal operating temp. range	25±3°C (77±5°F)	
Cycle use	Initial charging current less than 50.0A. voltage	
	14.1V~14.4V at 25°C (77°F) temp. coefficient -30mV/°C	
Standby use	Initial charging current less than 50.0A. voltage	
	13.5V~13.8V at 25°C (77°F) temp. coefficient -20mV/°C	
Capacity affected by temp.	40°C (104°F)	103%
	25°C (77°F)	100%
	0°C (32°F)	86%
Self discharge	LPGS series batteries may be stored for up to 6 months at 25°C (77°F) and then a freshening charge is required. For higher temperatures the time interval will be shorter.	



LAYOUT



CONSTANT CURRENT DISCHARGE CHARACTERISTICS (A,25°C)

F.V/Time	5min	10min	15min	20min	30min	1h	1.5h	2h	3h	4h	5h	8h	10h	20h
1.85V/cell	407.8	290.0	251.4	197.7	176.8	109.5	79.4	66.7	48.9	38.4	33.3	22.6	18.7	9.93
1.80V/cell	463.8	329.1	284.9	223.5	192.5	113.4	82.1	68.9	53.1	41.0	35.0	23.8	20.0	10.3
1.75V/cell	503.8	357.0	308.4	241.3	196.4	119.0	86.3	72.5	54.2	41.8	35.7	23.9	20.1	10.4
1.70V/cell	538.5	380.6	327.6	255.9	200.3	121.4	88.0	74.0	55.2	42.5	36.3	24.3	20.2	10.5
1.67V/cell	557.3	392.6	337.1	262.9	203.3	123.2	89.3	75.1	55.7	43.1	37.0	24.6	20.3	10.6
1.60V/cell	577.1	406.1	347.6	269.6	206.2	125.0	90.6	76.1	56.2	43.6	37.5	24.9	20.5	10.8

CONSTANT POWER DISCHARGE CHARACTERISTICS (Watts/Block,25°C)

F.V/Time	5min	10min	15min	20min	30min	1h	1.5h	2h	3h	4h	5h	8h	10h	20h
1.85V/cell	761.6	545.5	476.0	376.0	337.8	211.8	153.9	129.8	95.7	75.3	65.6	44.8	37.2	19.8
1.80V/cell	852.0	610.2	532.5	420.7	364.9	218.2	158.3	133.4	103.3	80.1	68.7	47.0	38.9	20.5
1.75V/cell	909.3	651.3	568.3	449.0	369.5	227.9	165.7	139.8	105.1	81.3	69.7	47.2	39.3	20.6
1.70V/cell	955.9	684.7	597.4	472.0	373.7	231.2	168.3	142.0	106.7	82.4	70.7	47.8	39.6	20.8
1.67V/cell	971.4	695.8	607.2	479.7	376.4	233.3	169.9	143.5	107.2	83.4	71.9	48.4	40.1	21.1
1.60V/cell	985.0	705.5	615.7	486.4	378.0	235.1	171.2	144.7	107.7	84.0	72.6	48.9	40.5	21.3

APPLICATIONS

- Communication power supply
- Engine starting
- Pump systems
- Alarm installations
- Marine and power stations

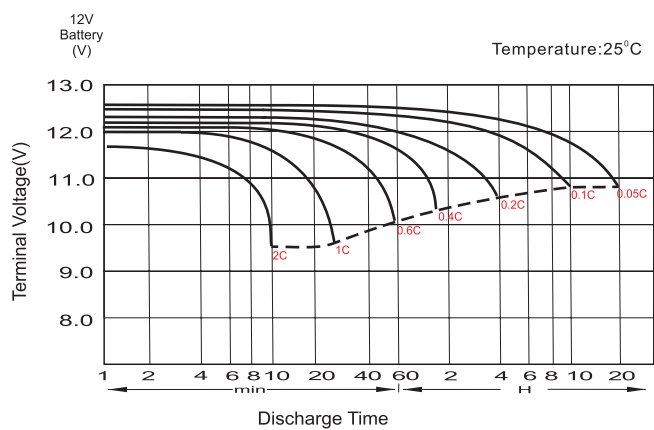
GENERAL FEATURES

- Adopted advantage AGM-GEL technology
- Operation temperature - 20~55°C
- ≤ 3% Self discharge @25°C

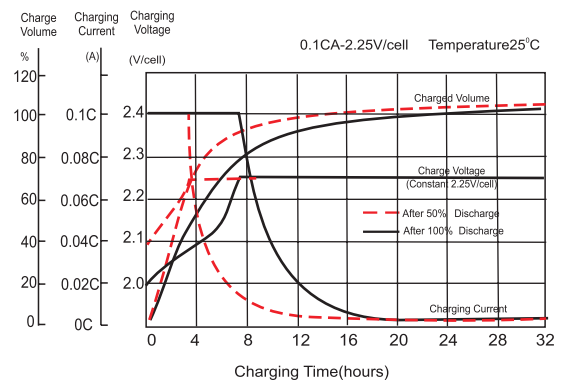
STANDARDS

- IEC 60896 Certified
- Classified as "Long Life" according to Eurobat
- UL Certified, CE Certified
- Manufactured in Leoch® IATF16949, ISO 9001, ISO 14001 and ISO 45001 certified production facilities

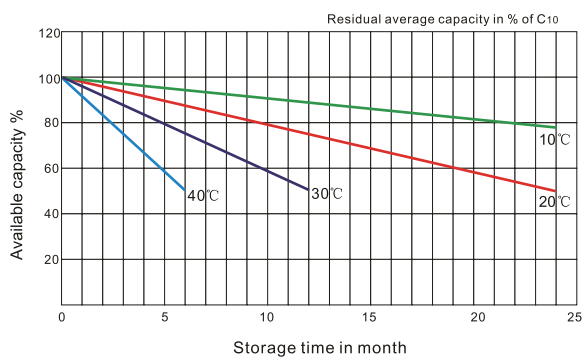
DISCHARGE CHARACTERISTICS



FLOAT CHARGING CHARACTERISTICS



GENERAL RELATION OF CAPACITY VS. STORAGE TIME



EFFECT OF TEMPERATURE ON LONG TERM FLOAT LIFE

