

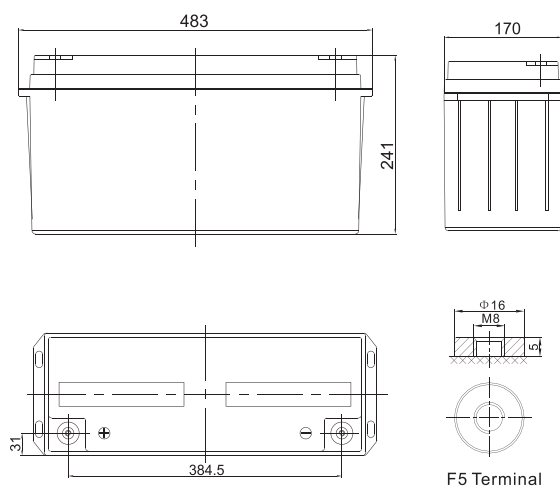
# LI-ION BATTERY / 12.8V150Ah

## SAFETY

- Prismatic LFePO4 cells, Longer cycle life and much more safety
- UN38.3, CE certification for system
- The cycle life over 3000 times @80%DOD

## BATTERY MANAGEMENT SYSTEM (BMS)

- Integrated BMS inside
- Independent protection for charge and discharge
- OVP, LVP, OTP, LTP, OCP, Short circuit protection



## DESIGN

- ABS container, replace VRLA battery perfectly
- Fast charge performance,
- -20~+55°C widely t + emperature range
- Maintenance free



## SPECIFICATIONS

Part Number	8010128015001
Model	R-LFP12.8V150AH
Nominal Voltage [V]	12.8
Nominal Capacity [Ah]	100
Total Energy [Wh]	1920
Max. Charging Current [A]	100
Recommended Charging Current [A]	75.5
Charging Voltage [V]	14.6
Max. Discharging Current [A]	150
End of Discharge Voltage [V]	11.2
Pulse Discharge Current	400A @ 10s
Dimension (HxWxD, mm)	241x483x170
Weight [Kg]	20
Operation Humidity	0~95% RH (No condensing)
Operating Temperature Range	Charge: 0 ~ +45°C , Discharge: -20 ~ +55°C
Protection	Over charge, Over discharge, Over current, Over temperature, Low temperature, Short circuit
Parallel Support	Yes, Max, 2 Sets
Series Support	Yes, Max. 4 Sets
Cycle Life	>3000 cycles
Designed Calendar Life	>10 Years